



**TF807WA: TERRAFIRMA ROCK SLIDERS WITH TREE BARS**

**DISCOVERY 1 – 5 DOOR MODEL ONLY**

**SHORT VERSION – COMPATIBLE WITH WHEEL ARCHES**

**FITTING INSTRUCTIONS**

Put the car into gear and apply the hand brake.

Before the rock sliders can be mounted to the sills and outriggers the mounting arms must first be bolted to the main slider using 12 x 20 mm bolts supplied. The arms can be adjusted left and right for a better fit.

Remove the original sills enlarge the holes in the sills to allow a tight fit of the Rivnuts.

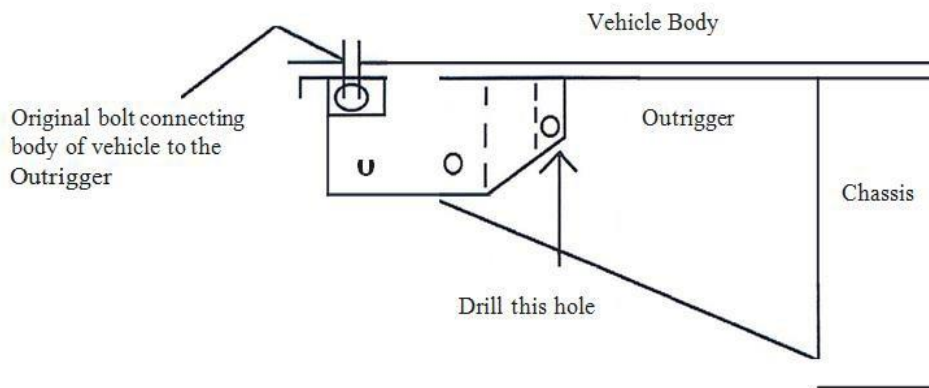
Install the Rivnuts, preferably using a Rivnut tool. If the correct tool is not available, you can install them using the methods shown in the links below, the idea is to compress the insert up on itself from the inside – tight enough to prevent the insert from spinning in place but not so tight that you strip the thread. Remember to de-burr all drilled holes to allow the insert to sit square to the hole.

<https://www.youtube.com/watch?v=FJ4gF2tXRBE>

<https://youtu.be/gmZBVSMBs0E>

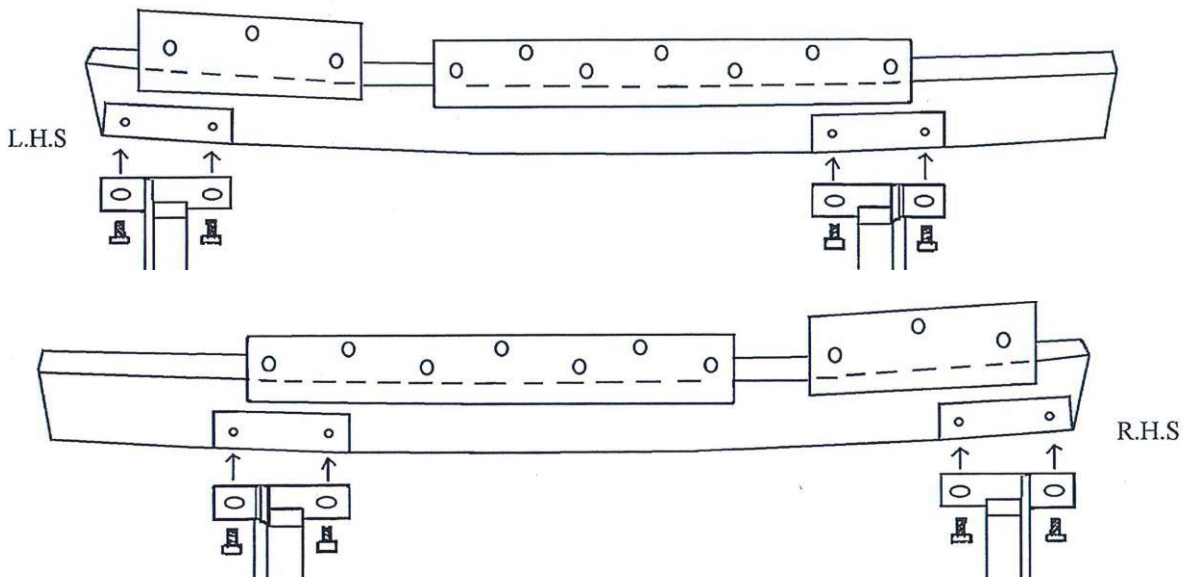
The new Rock Sliders are mounted using these sill holes and Rivnuts as well as the chassis mounting bars

**OUTRIGGER DRAWING**



Before the rock sliders can be mounted to the sills and outriggers, the mounting arms must first be bolted to the main rock slider using the M12 x 20 mm bolts supplied. The arms can be adjusted left and right for a better fit.

WARRANTY & DISCLAIMER - TerrafirMa products are warranted free from defects in materials and workmanship for a period of 12 months from the date of retail invoice. TerrafirMa does not warrant that the products manufactured or marketed by it comply with the laws of the country where those goods are purchased or used. It is the sole responsibility of the purchaser to ascertain whether products being purchased, or the fitting of those products to any other object, comply with local laws. This warranty covers structural defect and workmanship but does not cover finishes, labour charges for removal or refitting, freight costs, accident damage, misuse or abuse, damage due to incorrect or improper fitment or application, modified product, faulty design or consequential damage of any kind. Damage or defects caused by collision, alteration, improper installation, road hazards, adverse conditions or usage for any other purpose other than normal private usage are not covered by this warranty. TerrafirMa shall not be liable for any other claim relating to the use of the product and any indirect special or consequential damage or injury to any person, company or other entity. All claims must be accompanied by the original retail invoice and should be submitted to the supplying Allmakes 4x4/TerrafirMa distributor. This warranty covers only the replacement of the product or part concerned. The decision remains solely at the discretion of Allmakes Ltd. The information contained in this catalogue was correct at the time of going to press. Allmakes/TerrafirMa and its associated companies reserve the right to alter the range and any product specifications without notice. Always consult your Allmakes/TerrafirMa distributor for the latest product information and specifications. The TerrafirMa range of products is constantly being evaluated for enhancement and improvement to make sure the level of quality and performance is as expected.



After the Rock Sliders have been mounted check all nuts have been fully tightened.

The shallow angle mounting brackets x 2 are used on the rear vehicle outrigger.



**WARRANTY & DISCLAIMER** - TerrafirMa products are warranted free from defects in materials and workmanship for a period of 12 months from the date of retail invoice. TerrafirMa does not warrant that the products manufactured or marketed by it comply with the laws of the country where those goods are purchased or used. It is the sole responsibility of the purchaser to ascertain whether products being purchased, or the fitting of those products to any other object, comply with local laws. This warranty covers structural defect and workmanship but does not cover finishes, labour charges for removal or refitting, freight costs, accident damage, misuse or abuse, damage due to incorrect or improper fitment or application, modified product, faulty design or consequential damage of any kind. Damage or defects caused by collision, alteration, improper installation, road hazards, adverse conditions or usage for any other purpose other than normal private usage are not covered by this warranty. TerrafirMa shall not be liable for any other claim relating to the use of the product and any indirect special or consequential damage or injury to any person, company or other entity. All claims must be accompanied by the original retail invoice and should be submitted to the supplying Allmakes 4x4/TerrafirMa distributor. This warranty covers only the replacement of the product or part concerned. The decision remains solely at the discretion of Allmakes Ltd. The information contained in this catalogue was correct at the time of going to press. Allmakes/TerrafirMa and its associated companies reserve the right to alter the range and any product specifications without notice. Always consult your Allmakes/TerrafirMa distributor for the latest product information and specifications. The TerrafirMa range of products is constantly being evaluated for enhancement and improvement to make sure the level of quality and performance is as expected.

**TF807WA  
D1**