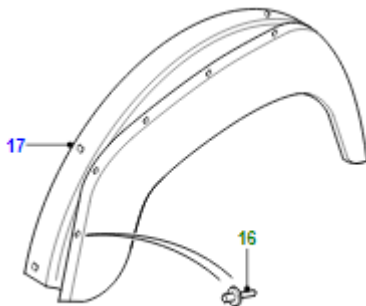


**MRC9378 – MRC9378G – MRD9378GF: - WHEEL ARCH – FRONT - R/H****DEFENDER 90/ 110 / 130****FITTING INSTRUCTIONS**

1. MRC9378 & MRC9378G both require painting prior to fitment.
2. MRC9378GF comes with a gloss black finish and is ready to fit.
3. If still fitted then the old wheel arch eyebrow must be removed, take care not to break or lose any of the fastenings if you intend to re-use the old ones.
4. Clean the area and make sure inside the cars wheel arch is free from mud and you can locate all of the mounting holes.
5. Offer the new wheel arch eyebrow up and make sure all the mounting holes line up.
6. When the wheel arch eyebrow is in place work your way around re-fitting the trim clips.
7. .



**WARRANTY & DISCLAIMER** - Terrafirma products are warranted free from defects in materials and workmanship for a period of 12 months from the date of retail invoice. Terrafirma does not warrant that the products manufactured or marketed by it comply with the laws of the country where those goods are purchased or used. It is the sole responsibility of the purchaser to ascertain whether products being purchased, or the fitting of those products to any other object, comply with local laws. This warranty covers structural defect and workmanship but does not cover finishes, labour charges for removal or refitting, freight costs, accident damage, misuse or abuse, damage due to incorrect or improper fitment or application, modified product, faulty design or consequential damage of any kind. Damage or defects caused by collision, alteration, improper installation, road hazards, adverse conditions or usage for any other purpose other than normal private usage are not covered by this warranty. Terrafirma shall not be liable for any other claim relating to the use of the product and any indirect special or consequential damage or injury to any person, company or other entity. All claims must be accompanied by the original retail invoice and should be submitted to the supplying Allmakes 4x4/Terrafirma distributor. This warranty covers only the replacement of the product or part concerned. The decision remains solely at the discretion of Allmakes Ltd. The information contained in this catalogue was correct at the time of going to press. Allmakes/Terrafirma and its associated companies reserve the right to alter the range and any product specifications without notice. Always consult your Allmakes/Terrafirma distributor for the latest product information and specifications. The Terrafirma range of products is constantly being evaluated for enhancement and improvement to make sure the level of quality and performance is as expected.